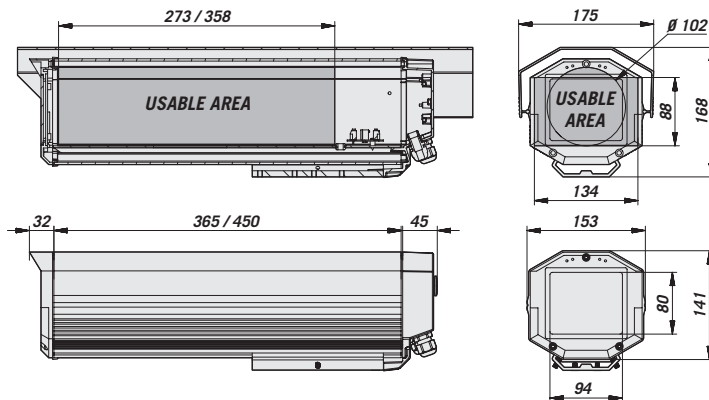


- Indoor/outdoor
- Built in aluminium and epoxy powder painted
- Accomodate large lenses
- Wide range of accessories available
- Solid and reliable
- Weatherproof Standard IP66

Weatherproof housing for outdoor installations. Its internal dimensions make it suitable for several cameras equipped with a wide range of lenses. The body is made of extruded aluminium and the end-cover plates of die-cast aluminium. Its weatherproof features are ensured by the extruded aluminium sunshield, the EPDM-rubber end-gasket between the end-cover plates and the body, and three cable glands with their specific gaskets. The installation and adjustment of the camera are made easier due to the ability to remove the body, leaving the internal slide in work position for easy operation. A wide range of accessories is available, including heater kit (normal or reinforced for temperatures below -20°C), blower

kit, camera power supply, weatherproof junction box, wiper and washer. These accessories are supplied as a simple plug-in kit for an easy installation. Instead of regular cable glands, the housing can be also equipped with connectors. This allows easy on-site replacement and installation on Pan & Tilt heads. It can be installed with sheaths, instead of regular cable glands using the junction box OHEGB for the wiring harness. The HEG housing can be utilized for a variety of applications, such as traffic and highway monitoring, particularly if coupled with the Pan & Tilt PTH900 series.

MODELS						
	Length mm / in	Sunshield	Heater 110VAC-230VAC	Heater 12VDC-24VAC	Connectors 3+1 and 6+1, connector BNC	Double heater 110VAC-230VAC
HEG37D0A000	365 / 14					
HEG37K0A000	365 / 14	•				
HEG37K1A000	365 / 14	•	•			
HEG37K2A000	365 / 14	•		•		
HEG37K1A074	365 / 14	•				•
HEG47D0A000	450 / 18					
HEG47K0A000	450 / 18	•				
HEG47K1A000	450 / 18	•	•			
HEG47K2A000	450 / 18	•		•		
HEG47K1A036	450 / 18	•	•		•	
HEG47K2A036	450 / 18	•		•	•	
HEG47K1A074	450 / 18	•				•



The values are in millimeters.

TECHNICAL DATA

GENERAL

- Die-cast aluminium back and front cover plates
- Extruded aluminium body and internal slide
- Epoxypolyester powder painted colour RAL9002
- Stainless steel external screws
- Supplied with: instruction manual, desiccant bag, accessories for camera and lens mounting

MECHANICAL

- 3 cable glands: 1xPG9 and 2xPG11
- Internal usable dimensions (BxH): 134x88 mm (5.2x3.4 in)
- Glass window (BxH): 94x80 mm (3.7x3.1 in)

Usable length mm (in):

Housing:

HEG37 273 mm (10.7 in)
HEG47 358 mm (14 in)

Housing with heater:

HEG37 273 mm (10.7 in)
HEG47 358 mm (14 in)

Housing with heater and/or camera power supply:

HEG37 273 mm (10.7 in)
HEG47 358 mm (14 in)

Housing with heater and/or blower:

HEG37 273 mm (10.7 in)
HEG47 358 mm (14 in)

ELECTRICAL

Heater, Ton 15°C+/-3°C (59°F) Toff 22°C +/-3°C (71°F):

OHEH25 12VDC-24VAC consumption 20W
OHEH24 110VAC-230VAC consumption 40W

Blower with air filter and thermostat, Ton 35°C +/-3° (95°F) Toff 20°C +/-3° (68°F):

OHEGCF1 Input 12VDC consumption 4 W (max)
OHEGCF2 Input 24VAC consumption 4 W (max)
OHEGCF3 Input 230VAC consumption 4 W (max)

Camera power supply:

OHEPS19 Input 100-240VAC, 50/60Hz, output 12VDC, 1A max
OHEPS20 Input 230VAC, 50Hz, output 24VAC, 400mA max

Double heater, Ton 15°C+/-3°C (59°F) Toff 22°C +/-3°C (71°F):

Input 110VAC-230VAC max consumption 80W

ACCESSORIES

OHEGS37A000 Sunshield for HEG37

- OHEGS47A000** Sunshield for HEG47
OHEH24 Heater 110VAC/230VAC
OHEH25 Heater 12VDC/24VAC
OHEPS19 Wide range power supply 100-240VAC, 50/60Hz/12VDC, 1A
OHEPS20 Power supply 230VAC/24VAC, 400mA
OHEGCF1 Blower kit with thermostat and air filter 12VDC
OHEGCF2 Blower kit with thermostat and air filter 24VAC
OHEGCF3 Blower kit with thermostat and air filter 230VAC, with wide range power supply 100-240VAC, 50/60Hz/12VDC, 1A
VIP6A1 New HEG wiper kit 230V 50/60Hz
VIP6A2 New HEG wiper kit 24V 50/60Hz
VIP5WAS01 Tank 5 liters + 230VAC washer pump
VIP5WAS02 Tank 5 liters + 24VAC washer pump
VIP25WAS01 Tank 25 liters + 230VAC washer pump
VIP25WAS02 Tank 25 liters + 24VAC washer pump

RELATED PRODUCTS

Brackets:

- WBJ** Wall mount
WFWC Column mount
WCM5 Ceiling mount

P&T:

PTH900 series P&T, 50/60Hz

ENVIRONMENT

- Indoor/outdoor
- Operating temperature:
 HEG with heater: -20°C a + 50°C (-4°F up to 122°F)
 HEG with double heater: up to -40°C (-40°F)
- Resistant to the salt-air fog until 1000 hours (according to ISO9227)

COMPLIANCE TO

- CE according to EN 60950, EN 50081-1 and EN50130-4
- IP66
- IP54 (Mod. 036)

SPARE PARTS LIST

- OHEGFA04** Front cover for HEG with screws + gaskets
OHEGFPN04 Back cover for HEG with screws + gaskets
OHEGMAN Cable glands, gaskets and screws for HEG
DOTHE01 Spacers for camera and lens in HEG



Unit Weight (kg / lb):
HEG37K: 4,3 / 9,4
HEG47K: 4,7 / 10,3

Package Weight (kg / lb):
HEG37K: 4,65 / 10,2
HEG47K: 5,15 / 11,3

Package Dimensions (cm / in):
HEG37K: 19x20x52 / 7.4x7.8x20.4
HEG47K: 19x20x62 / 7.4x7.8x24.4

Master Carton (units):
HEG37K: 8
HEG47K: 6